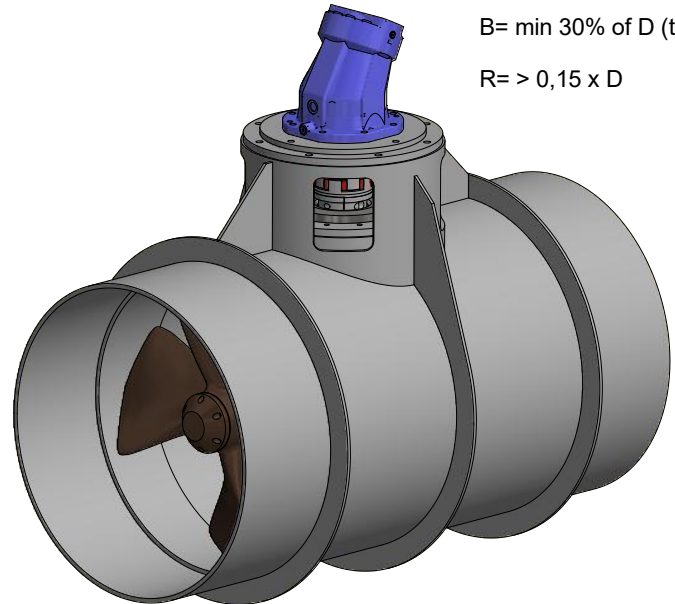
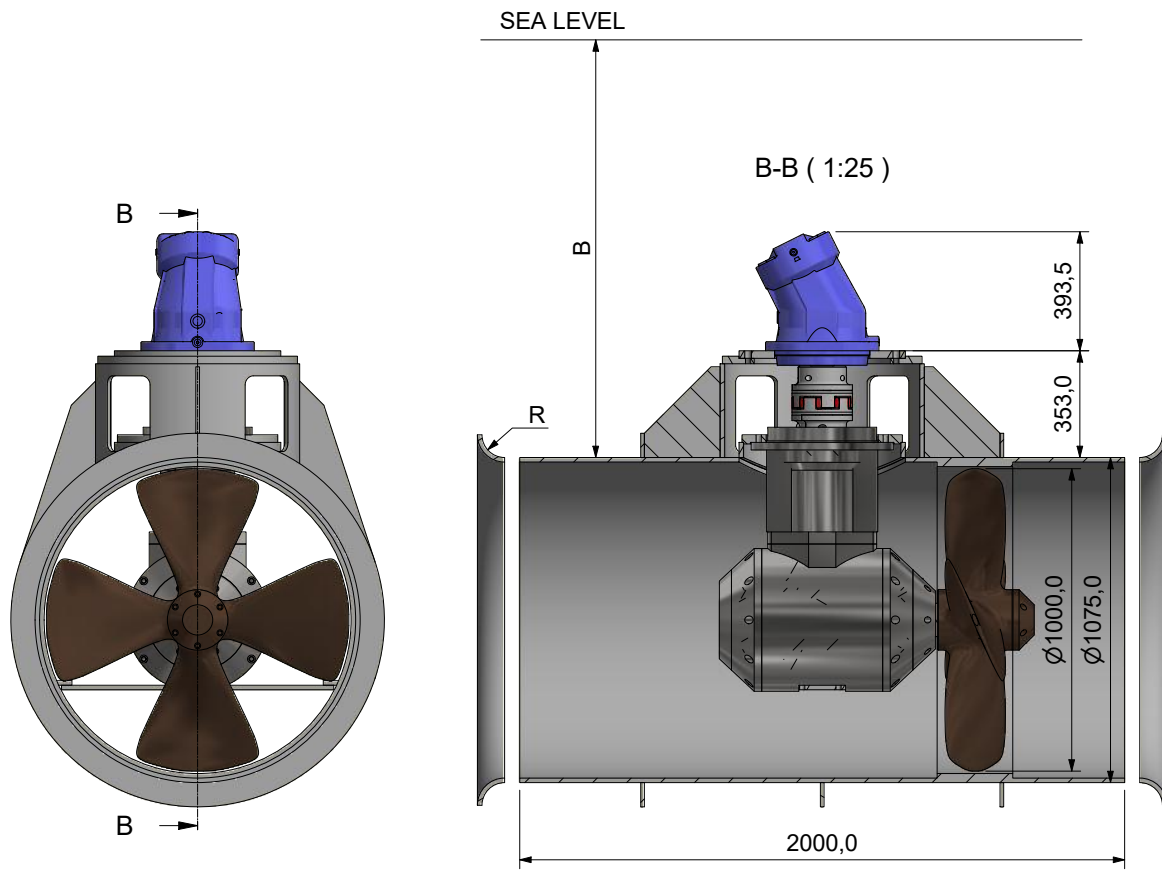



THECHNICAL DATA	
Power	300-500 HP
Max RPM	1500
Oil Flow	756 l/min
Oil Presure	300 Bar
Thrust force	< 4000 kg
Tunnel Thickness	15mm

B= min 30% of D (tunnel diameter)
R= > 0,15 x D



Note: Remove all sharp edges. Unspec. toler.: ISO 22811 in machining EN ISO 22811 EN ISO 13008 - welding	Designed by	Checked by	Date	Project	Material	Weight:	
	Geir		13.10.2020	STR-100-500		N/A	
				Title		Scale	Sheet
				STR-100-500 SE 315S Assembly		1:25	A4
			Part number		Rev.	Sheet	
			STR-100-500 Test R1 Hyd			2 / 2	