

# CAPSTANS

## C1000R - x

**PETTER'S MARINE HYDRAULICS** manufactured its first capstan in 1967, and has since then sold hundreds of capstans worldwide. From our product range we offer both rail and deck mounted capstans, ranging from 1 to 10 tons of bollard pull. All of our capstans are hydraulic and operated by levers or pedals which are both proportional to the pull force of the capstan, providing the operator with full control of both line speed and applied power. **PETTER'S MARINE HYDRAULICS'** capstans are made for operating in demanding environments and tough conditions, providing **EXCELLENT** performance and high **RELIABILITY** in a **COST EFFICIENT** way.

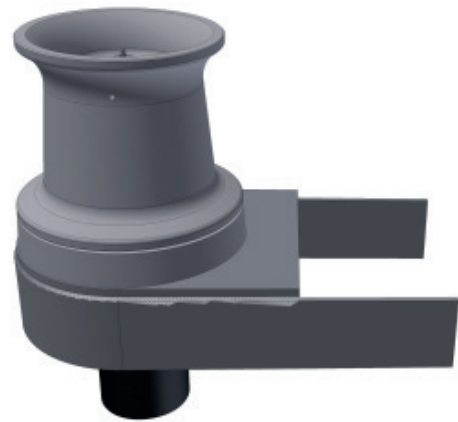
The **C1000R** capstan is a rail mounted capstan with a bollard pull of 1000kg, ideal for cargo handling and tightening of mooring arrangements for fish farm facilities. The rail bracket is available in either steel or aluminum, and can be either welded or bolted to the structure.

The hydraulic drive is based on standard motors and transmissions, which is of low maintenance and easy access to spare parts.

### ORDER INFORMATION

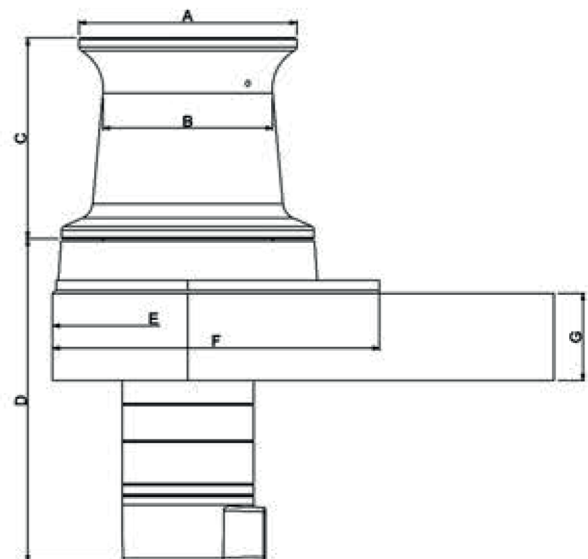
The capstans are available in both aluminum (alloy 5083) and steel, with hydraulic drive. Electrical drive can be provided on request.

**PETTER'S MARINE HYDRAULICS** offers a wide range of capstans. Please see the capstan brochures or visit our home page [WWW.PMH.NO](http://WWW.PMH.NO) for more information on these products



### TECHNICAL SPECIFICATIONS

Hydraulic interface:	
A,B	1/2" BSP
Max oil flow:	15 l/min
Max oil pressure:	210 bar
Max start pull:	1000 kg
Max Rate of turn:	42 RPM
Max line speed:	36 m/min
Breaking factor:	1 : 1



Part name explanation:

**Example:** **C1000R-x**

Device type  
Capacity: 1000kg,  
Rail mounted (R)

Material  
Aluminum (A), Steel (S)

A	B	C	D	E	F	G
250 mm	195 mm	230 mm	275 mm	310 mm	375 mm	100 mm

# CAPSTANS

## C1500R - x

**PETTER'S MARINE HYDRAULICS** manufactured its first capstan in 1967, and has since then sold hundreds of capstans worldwide. From our product range we offer both rail and deck mounted capstans, ranging from 1 to 10 tons of bollard pull. All of our capstans are hydraulic and operated by levers or pedals which are both proportional to the pull force of the capstan, providing the operator with full control of both line speed and applied power. **PETTER'S MARINE HYDRAULICS'** capstans are made for operating in demanding environments and tough conditions, providing **EXCELLENT** performance and high **RELIABILITY** in a **COST EFFICIENT** way.

The **C1500R** capstan is a rail mounted capstan with a bollard pull of 1500kg, ideal for cargo handling and tightening of mooring arrangements for fish farm facilities. The rail bracket is available in either steel or aluminum, and can be either welded or bolted to the structure.

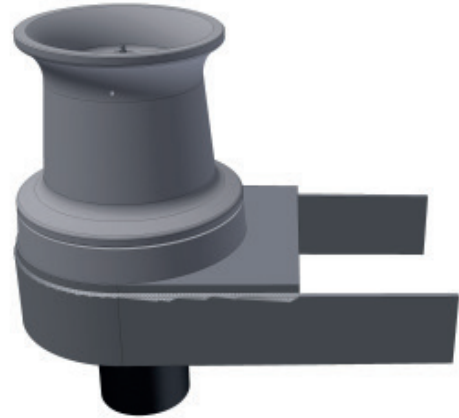
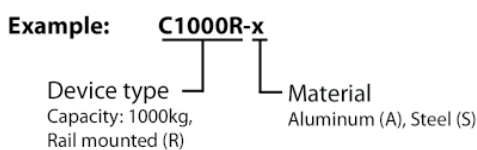
The hydraulic drive is based on standard motors and transmissions, which is of low maintenance and easy access to spare parts.

### ORDER INFORMATION

The capstans are available in both aluminum (alloy 5083) and steel, with hydraulic drive. Electrical drive can be provided on request.

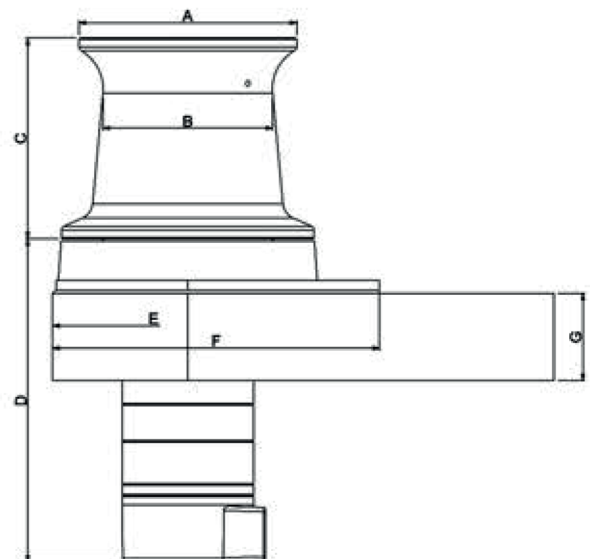
**PETTER'S MARINE HYDRAULICS** offers a wide range of capstans. Please see the capstan brochures or visit our home page [WWW.PMH.NO](http://WWW.PMH.NO) for more information on these products

Part name explanation:



### TECHNICAL SPECIFICATIONS

Hydraulic interface:	
A,B	1/2" BSP
Max oil flow:	30 l/min
Max oil pressure:	135 bar
Max start pull:	1500 kg
Max Rate of turn:	36 RPM
Max line speed:	31 m/min
Breaking factor:	1 : 1



A	B	C	D	E	F	G
250 mm	195 mm	230 mm	350 mm	310 mm	375 mm	100 mm

# CAPSTANS

## C2000R - x

**PETTER'S MARINE HYDRAULICS** manufactured its first capstan in 1967, and has since then sold hundreds of capstans worldwide. From our product range we offer both rail and deck mounted capstans, ranging from 1 to 10 tons of bollard pull. All of our capstans are hydraulic and operated by levers or pedals which are both proportional to the pull force of the capstan, providing the operator with full control of both line speed and applied power. **PETTER'S MARINE HYDRAULICS'** capstans are made for operating in demanding environments and tough conditions, providing **EXCELLENT** performance and high **RELIABILITY** in a **COST EFFICIENT** way.

The **C2000R** capstan is a rail mounted capstan with a bollard pull of 2000kg, ideal for cargo handling and tightening of mooring arrangements for fish farm facilities. The rail bracket is available in either steel or aluminum, and can be either welded or bolted to the structure.

The hydraulic drive is based on standard motors and transmissions, which is of low maintenance and easy access to spare parts.

### ORDER INFORMATION

The capstans are available in both aluminum (alloy 5083) and steel, with hydraulic drive. Electrical drive can be provided on request.

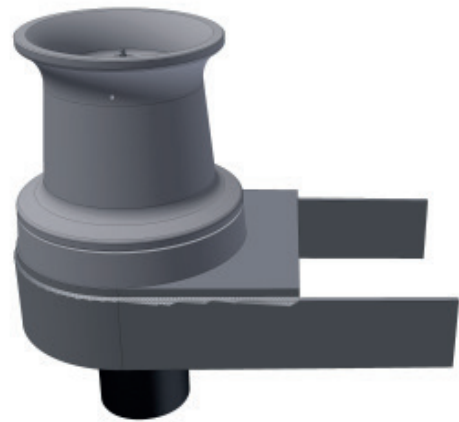
**PETTER'S MARINE HYDRAULICS** offers a wide range of capstans. Please see the capstan brochures or visit our home page [WWW.PMH.NO](http://WWW.PMH.NO) for more information on these products

Part name explanation:

**Example: C1000R-x**

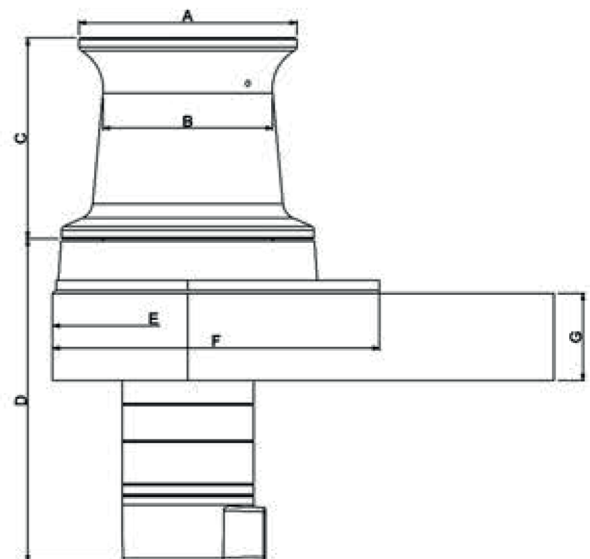
Device type: Capacity: 1000kg, Rail mounted (R)

Material: Aluminum (A), Steel (S)



### TECHNICAL SPECIFICATIONS

Hydraulic interface:	
A,B	1 5/16-12 UNF
Max oil flow:	30 l/min
Max oil pressure:	180 bar
Max start pull:	2000 kg
Max Rate of turn:	35 RPM
Max line speed:	30 m/min
Breaking factor:	1 : 1



A	B	C	D	E	F	G
250 mm	195 mm	230 mm	370 mm	310 mm	375 mm	100 mm

# CAPSTANS

## C3000R - x

**PETTER'S MARINE HYDRAULICS** manufactured its first capstan in 1967, and has since then sold hundreds of capstans worldwide. From our product range we offer both rail and deck mounted capstans, ranging from 1 to 10 tons of bollard pull. All of our capstans are hydraulic and operated by levers or pedals which are both proportional to the pull force of the capstan, providing the operator with full control of both line speed and applied power. **PETTER'S MARINE HYDRAULICS'** capstans are made for operating in demanding environments and tough conditions, providing **EXCELLENT** performance and high **RELIABILITY** in a **COST EFFICIENT** way.

The **C3000R** capstan is a rail mounted capstan with a bollard pull of 3000kg, ideal for cargo handling and tightening of mooring arrangements for fish farm facilities. The rail bracket is available in either steel or aluminum, and can be either welded or bolted to the structure.

The hydraulic drive is based on standard motors and transmissions, which is of low maintenance and easy access to spare parts.

### ORDER INFORMATION

The capstans are available in both aluminum (alloy 5083) and steel, with hydraulic drive. Electrical drive can be provided on request.

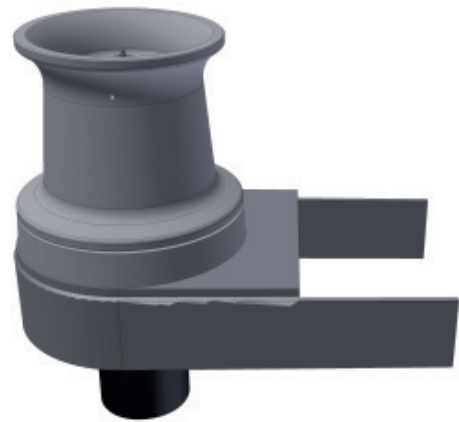
**PETTER'S MARINE HYDRAULICS** offers a wide range of capstans. Please see the capstan brochures or visit our home page [WWW.PMH.NO](http://WWW.PMH.NO) for more information on these products

Part name explanation:

**Example: C1000R-x**

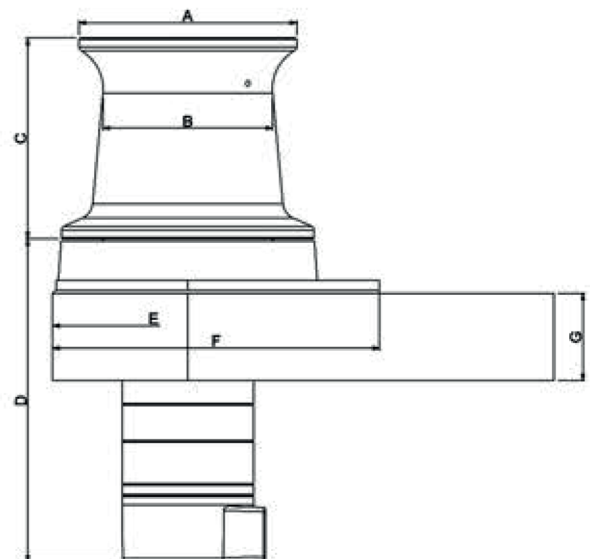
Device type: Capacity: 1000kg, Rail mounted (R)

Material: Aluminum (A), Steel (S)



### TECHNICAL SPECIFICATIONS

Hydraulic interface:	
A.B	1/2" BSP
Max oil flow:	65 l/min
Max oil pressure:	165 bar
Max start pull:	3000 kg
Max Rate of turn:	28 RPM
Max line speed:	30 m/min
Breaking factor:	1 : 1



A	B	C	D	E	F	G
250 mm	195 mm	230 mm	350 mm	310 mm	375 mm	100 mm

# CAPSTANS

## C3000D - x

**PETTER'S MARINE HYDRAULICS** manufactured its first capstan in 1967, and has since then sold hundreds of capstans worldwide. From our product range we offer both rail and deck mounted capstans, ranging from 1 to 10 tons of bollard pull. All of our capstans are hydraulic and operated by levers or pedals which are both proportional to the pull force of the capstan, providing the operator with full control of both line speed and applied power. **PETTER'S MARINE HYDRAULICS'** capstans are made for operating in demanding environments and tough conditions, providing **EXCELLENT** performance and high **RELIABILITY** in a **COST EFFICIENT** way.

The **C3000D** capstan is a deck mounted capstan with a bollard pull of 3000kg, ideal for cargo handling and tightening of mooring arrangements for fish farm facilities. The pedestal is available in either steel or aluminum, and can be either welded or bolted to the structure.

The hydraulic drive is based on standard motors and transmissions, which is of low maintenance and easy access to spare parts.

### ORDER INFORMATION

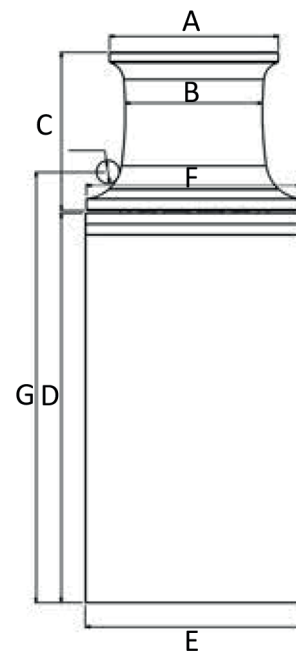
The capstans are available in both aluminum (alloy 5083) and steel, with hydraulic drive. Electrical drive can be provided on request.

**PETTER'S MARINE HYDRAULICS** offers a wide range of capstans. Please see the capstan brochures or visit our home page [WWW.PMH.NO](http://WWW.PMH.NO) for more information on these products

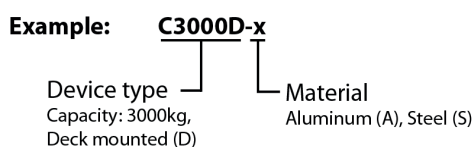


### TECHNICAL SPECIFICATIONS

Hydraulic interface:	
A,B	1/2" BSP
Max oil flow:	65 l/min
Max oil pressure:	165 bar
Max start pull:	3000 kg
Max Rate of turn:	28 RPM
Max line speed:	30 m/min
Breaking factor:	1 : 1



Part name explanation:



A	B	C	D	E	F	G
315 mm	240 mm	280 mm	785 mm	410 mm	400 mm	830 mm

# CAPSTANS

## C5000D - x

**PETTER'S MARINE HYDRAULICS** manufactured its first capstan in 1967, and has since then sold hundreds of capstans worldwide. From our product range we offer both rail and deck mounted capstans, ranging from 1 to 10 tons of bollard pull. All of our capstans are hydraulic and operated by levers or pedals which are both proportional to the pull force of the capstan, providing the operator with full control of both line speed and applied power. **PETTER'S MARINE HYDRAULICS'** capstans are made for operating in demanding environments and tough conditions, providing **EXCELLENT** performance and high **RELIABILITY** in a **COST EFFICIENT** way.

The **C5000D** capstan is a deck mounted capstan with a bollard pull of 5000kg, ideal for cargo handling and tightening of mooring arrangements for fish farm facilities. The pedestal is available in either steel or aluminum, and can be either welded or bolted to the structure.

The hydraulic drive is based on standard motors and transmissions, which is of low maintenance and easy access to spare parts.

### ORDER INFORMATION

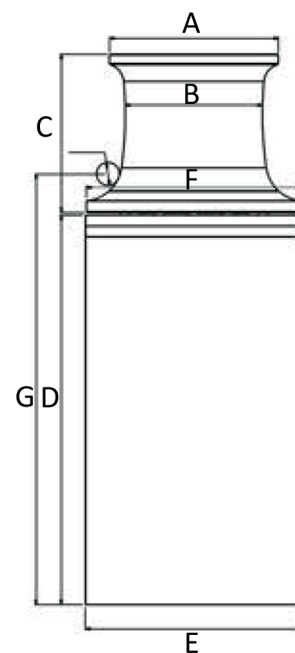
The capstans are available in both aluminum (alloy 5083) and steel, with hydraulic drive. Electrical drive can be provided on request.

**PETTER'S MARINE HYDRAULICS** offers a wide range of capstans. Please see the capstan brochures or visit our home page [WWW.PMH.NO](http://WWW.PMH.NO) for more information on these products

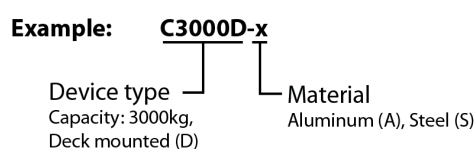


### TECHNICAL SPECIFICATIONS

Hydraulic interface:	
A,B	1/2" BSP
Max oil flow:	65 l/min
Max oil pressure:	180 bar
Max start pull:	5000 kg
Max Rate of turn:	21 RPM
Max line speed:	22 m/min
Breaking factor:	1 : 1



Part name explanation:



A	B	C	D	E	F	G
315 mm	240 mm	280 mm	785 mm	410 mm	400 mm	830 mm

# CAPSTANS

## C8000D - x

**PETTER'S MARINE HYDRAULICS** manufactured its first capstan in 1967, and has since then sold hundreds of capstans worldwide. From our product range we offer both rail and deck mounted capstans, ranging from 1 to 10 tons of bollard pull. All of our capstans are hydraulic and operated by levers or pedals which are both proportional to the pull force of the capstan, providing the operator with full control of both line speed and applied power. **PETTER'S MARINE HYDRAULICS'** capstans are made for operating in demanding environments and tough conditions, providing **EXCELLENT** performance and high **RELIABILITY** in a **COST EFFICIENT** way.

The **C8000D** capstan is a deck mounted capstan with a bollard pull of 8000kg, ideal for cargo handling and tightening of mooring arrangements for fish farm facilities. The pedestal is available in either steel or aluminum, and can be either welded or bolted to the structure.

The hydraulic drive is based on standard motors and transmissions, which is of low maintenance and easy access to spare parts.

### ORDER INFORMATION

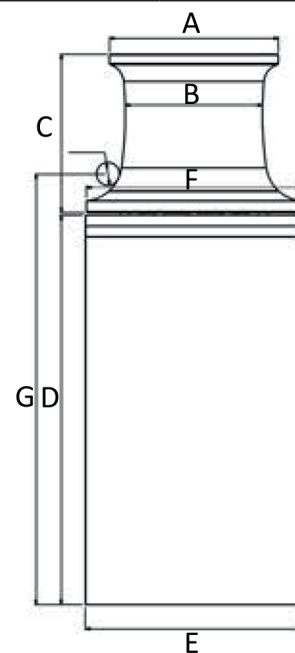
The capstans are available in both aluminum (alloy 5083) and steel, with hydraulic drive. Electrical drive can be provided on request.

**PETTER'S MARINE HYDRAULICS** offers a wide range of capstans. Please see the capstan brochures or visit our home page [WWW.PMH.NO](http://WWW.PMH.NO) for more information on these products



### TECHNICAL SPECIFICATIONS

Hydraulic interface:	
A,B	1/2" BSP
Max oil flow:	75 l/min
Max oil pressure:	175 bar
Max start pull:	8000 kg
Max Rate of turn:	9 RPM
Max line speed:	15 m/min
Breaking factor:	1 : 1



Part name explanation:

**Example: C3000D-x**

Device type: Capacity: 3000kg, Deck mounted (D)

Material: Aluminum (A), Steel (S)

A	B	C	D	E	F	G
390 mm	315 mm	366 mm	590 mm	500 mm	495 mm	670 mm

# CAPSTANS

## C10000D - x

**PETTER'S MARINE HYDRAULICS** manufactured its first capstan in 1967, and has since then sold hundreds of capstans worldwide. From our product range we offer both rail and deck mounted capstans, ranging from 1 to 10 tons of bollard pull. All of our capstans are hydraulic and operated by levers or pedals which are both proportional to the pull force of the capstan, providing the operator with full control of both line speed and applied power. **PETTER'S MARINE HYDRAULICS'** capstans are made for operating in demanding environments and tough conditions, providing **EXCELLENT** performance and high **RELIABILITY** in a **COST EFFICIENT** way.

The **C10000D** capstan is a deck mounted capstan with a bollard pull of 10000kg, ideal for cargo handling and tightening of mooring arrangements for fish farm facilities. The pedestal is available in either steel or aluminum, and can be either welded or bolted to the structure.

The hydraulic drive is based on standard motors and transmissions, which is of low maintenance and easy access to spare parts.

### ORDER INFORMATION

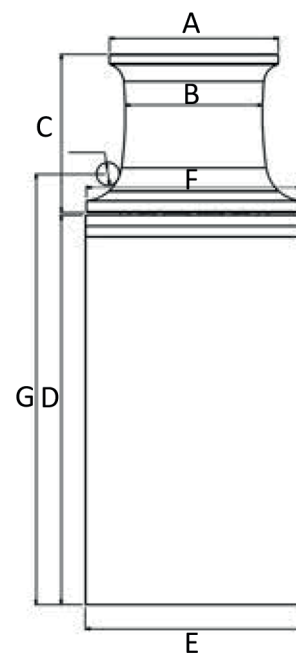
The capstans are available in both aluminum (alloy 5083) and steel, with hydraulic drive. Electrical drive can be provided on request.

**PETTER'S MARINE HYDRAULICS** offers a wide range of capstans. Please see the capstan brochures or visit our home page [WWW.PMH.NO](http://WWW.PMH.NO) for more information on these products



### TECHNICAL SPECIFICATIONS

Hydraulic interface:	
A,B	1/2" BSP
Max oil flow:	75 l/min
Max oil pressure:	200 bar
Max start pull:	10 000 kg
Max Rate of turn:	7 RPM
Max line speed:	11 m/min
Breaking factor:	1 : 1



Part name explanation:

**Example: C3000D-x**

Device type: Capacity: 3000kg, Deck mounted (D)

Material: Aluminum (A), Steel (S)

A	B	C	D	E	F	G
390 mm	315 mm	366 mm	590 mm	500 mm	495 mm	670 mm



# CAPSTANS

## C4000D - x

**PETTER'S MARINE HYDRAULICS** manufactured its first capstan in 1967, and has since then sold hundreds of capstans worldwide. From our product range we offer both rail and deck mounted capstans, ranging from 1 to 10 tons of bollard pull. All of our capstans are hydraulic and operated by levers or pedals which are both proportional to the pull force of the capstan, providing the operator with full control of both line speed and applied power. **PETTER'S MARINE HYDRAULICS'** capstans are made for operating in demanding environments and tough conditions, providing **EXCELLENT** performance and high **RELIABILITY** in a **COST EFFICIENT** way.

The **C4000D** capstan is a deck mounted capstan with a bollard pull of 4000kg, ideal for cargo handling and tightening of mooring arrangements for fish farm facilities. The pedestal is available in either steel or aluminum, and can be either welded or bolted to the structure.

The hydraulic drive is based on standard motors and transmissions, which is of low maintenance and easy access to spare parts.

### ORDER INFORMATION

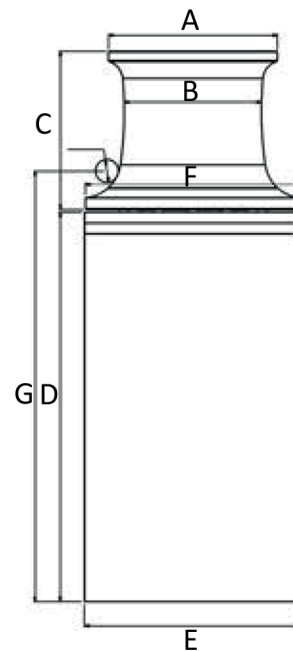
The capstans are available in both aluminum (alloy 5083) and steel, with hydraulic drive. Electrical drive can be provided on request.

**PETTER'S MARINE HYDRAULICS** offers a wide range of capstans. Please see the capstan brochures or visit our home page [WWW.PMH.NO](http://WWW.PMH.NO) for more information on these products



### TECHNICAL SPECIFICATIONS

Hydraulic interface:	
A,B	1/2" BSP
Max oil flow:	65 l/min
Max oil pressure:	180 bar
Max start pull:	4 000 kg
Max Rate of turn:	23 RPM
Max line speed:	25 m/min
Breaking factor:	1 : 1



Part name explanation:

**Example:** **C3000D-x**

Device type: Capacity: 3000kg, Deck mounted (D)

Material: Aluminum (A), Steel (S)

A	B	C	D	E	F	G
315 mm	240 mm	280 mm	785 mm	410 mm	400 mm	830 mm

# CAPSTANS

## C4000R - x

**PETTER'S MARINE HYDRAULICS** manufactured its first capstan in 1967, and has since then sold hundreds of capstans worldwide. From our product range we offer both rail and deck mounted capstans, ranging from 1 to 10 tons of bollard pull. All of our capstans are hydraulic and operated by levers or pedals which are both proportional to the pull force of the capstan, providing the operator with full control of both line speed and applied power. **PETTER'S MARINE HYDRAULICS'** capstans are made for operating in demanding environments and tough conditions, providing **EXCELLENT** performance and high **RELIABILITY** in a **COST EFFICIENT** way.

The **C4000R** capstan is a rail mounted capstan with a bollard pull of 4000kg, ideal for cargo handling and tightening of mooring arrangements for fish farm facilities. The rail bracket is available in either steel or aluminum, and can be either welded or bolted to the structure.

The hydraulic drive is based on standard motors and transmissions, which is of low maintenance and easy access to spare parts.

### ORDER INFORMATION

The capstans are available in both aluminum (alloy 5083) and steel, with hydraulic drive. Electrical drive can be provided on request.

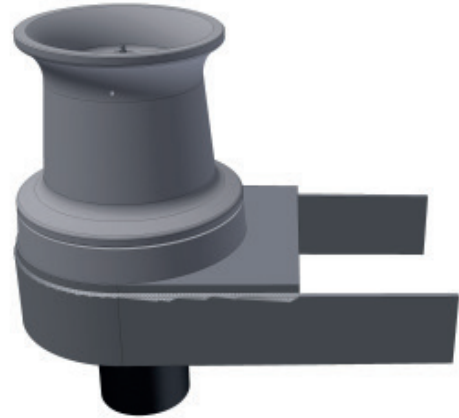
**PETTER'S MARINE HYDRAULICS** offers a wide range of capstans. Please see the capstan brochures or visit our home page [WWW.PMH.NO](http://WWW.PMH.NO) for more information on these products

Part name explanation:

**Example:** **C1000R-x**

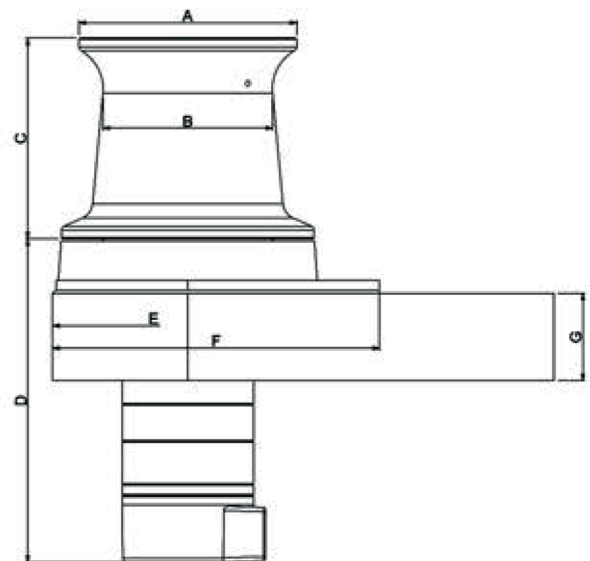
Device type: Capacity: 1000kg, Rail mounted (R)

Material: Aluminum (A), Steel (S)



### TECHNICAL SPECIFICATIONS

Hydraulic interface:	
A.B	1/2" BSP
Max oil flow:	65 l/min
Max oil pressure:	180 bar
Max start pull:	4 000 kg
Max Rate of turn:	23 RPM
Max line speed:	25 m/min
Breaking factor:	1 : 1



A	B	C	D	E	F	G
315 mm	240 mm	280 mm	465 mm	420 mm	485 mm	150 mm

# CAPSTANS

## C1000D - x

**PETTER'S MARINE HYDRAULICS** manufactured its first capstan in 1967, and has since then sold hundreds of capstans worldwide. From our product range we offer both rail and deck mounted capstans, ranging from 1 to 10 tons of bollard pull. All of our capstans are hydraulic and operated by levers or pedals which are both proportional to the pull force of the capstan, providing the operator with full control of both line speed and applied power. **PETTER'S MARINE HYDRAULICS'** capstans are made for operating in demanding environments and tough conditions, providing **EXCELLENT** performance and high **RELIABILITY** in a **COST EFFICIENT** way.

The **C1000D** capstan is a deck mounted capstan with a bollard pull of 1000kg, ideal for cargo handling and tightening of mooring arrangements for fish farm facilities. The pedestal is available in either steel or aluminum, and can be either welded or bolted to the structure.

The hydraulic drive is based on standard motors and transmissions, which is of low maintenance and easy access to spare parts.

### ORDER INFORMATION

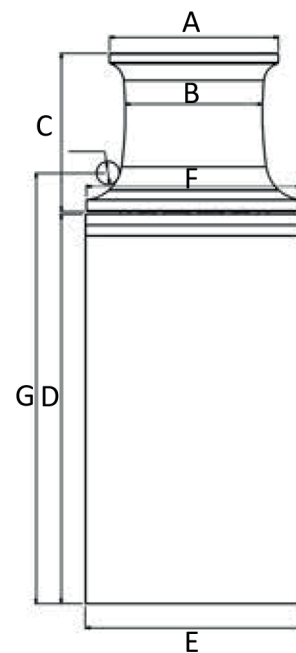
The capstans are available in both aluminum (alloy 5083) and steel, with hydraulic drive. Electrical drive can be provided on request.

**PETTER'S MARINE HYDRAULICS** offers a wide range of capstans. Please see the capstan brochures or visit our home page [WWW.PMH.NO](http://WWW.PMH.NO) for more information on these products



### TECHNICAL SPECIFICATIONS

Hydraulic interface:	
A,B	1/2" BSP
Max oil flow:	15 l/min
Max oil pressure:	210 bar
Max start pull:	1000 kg
Max Rate of turn:	42 RPM
Max line speed:	36 m/min
Breaking factor:	1 : 1



Part name explanation:

**Example: C3000D-x**

Device type: Capacity: 3000kg, Deck mounted (D)

Material: Aluminum (A), Steel (S)

A	B	C	D	E	F	G
250 mm	195 mm	230 mm	810 mm	410 mm	290 mm	840 mm

# CAPSTANS

## C1500D - x

**PETTER'S MARINE HYDRAULICS** manufactured its first capstan in 1967, and has since then sold hundreds of capstans worldwide. From our product range we offer both rail and deck mounted capstans, ranging from 1 to 10 tons of bollard pull. All of our capstans are hydraulic and operated by levers or pedals which are both proportional to the pull force of the capstan, providing the operator with full control of both line speed and applied power. **PETTER'S MARINE HYDRAULICS'** capstans are made for operating in demanding environments and tough conditions, providing **EXCELLENT** performance and high **RELIABILITY** in a **COST EFFICIENT** way.

The **C1500D** capstan is a deck mounted capstan with a bollard pull of 1500kg, ideal for cargo handling and tightening of mooring arrangements for fish farm facilities. The pedestal is available in either steel or aluminum, and can be either welded or bolted to the structure.

The hydraulic drive is based on standard motors and transmissions, which is of low maintenance and easy access to spare parts.

### ORDER INFORMATION

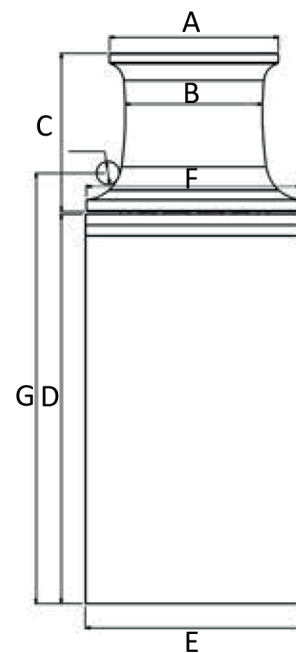
The capstans are available in both aluminum (alloy 5083) and steel, with hydraulic drive. Electrical drive can be provided on request.

**PETTER'S MARINE HYDRAULICS** offers a wide range of capstans. Please see the capstan brochures or visit our home page [WWW.PMH.NO](http://WWW.PMH.NO) for more information on these products



### TECHNICAL SPECIFICATIONS

Hydraulic interface:	
A,B	1/2" BSP
Max oil flow:	30 l/min
Max oil pressure:	135 bar
Max start pull:	1500 kg
Max Rate of turn:	36 RPM
Max line speed:	31 m/min
Breaking factor:	1 : 1



Part name explanation:

**Example:** **C3000D-x**

Device type: Capacity: 3000kg, Deck mounted (D)

Material: Aluminum (A), Steel (S)

A	B	C	D	E	F	G
250 mm	195 mm	230 mm	810 mm	410 mm	290 mm	840 mm

# CAPSTANS

## C2000D - x

**PETTER'S MARINE HYDRAULICS** manufactured its first capstan in 1967, and has since then sold hundreds of capstans worldwide. From our product range we offer both rail and deck mounted capstans, ranging from 1 to 10 tons of bollard pull. All of our capstans are hydraulic and operated by levers or pedals which are both proportional to the pull force of the capstan, providing the operator with full control of both line speed and applied power. **PETTER'S MARINE HYDRAULICS'** capstans are made for operating in demanding environments and tough conditions, providing **EXCELLENT** performance and high **RELIABILITY** in a **COST EFFICIENT** way.

The **C2000D** capstan is a deck mounted capstan with a bollard pull of 2000kg, ideal for cargo handling and tightening of mooring arrangements for fish farm facilities. The pedestal is available in either steel or aluminum, and can be either welded or bolted to the structure.

The hydraulic drive is based on standard motors and transmissions, which is of low maintenance and easy access to spare parts.

### ORDER INFORMATION

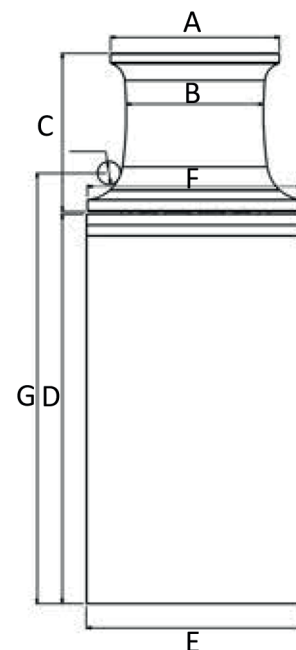
The capstans are available in both aluminum (alloy 5083) and steel, with hydraulic drive. Electrical drive can be provided on request.

**PETTER'S MARINE HYDRAULICS** offers a wide range of capstans. Please see the capstan brochures or visit our home page [WWW.PMH.NO](http://WWW.PMH.NO) for more information on these products



### TECHNICAL SPECIFICATIONS

Hydraulic interface:	
A,B	1 5/16-12 UNF
Max oil flow:	30 l/min
Max oil pressure:	180 bar
Max start pull:	2000 kg
Max Rate of turn:	35 RPM
Max line speed:	30 m/min
Breaking factor:	1:1



Part name explanation:

**Example:** **C3000D-x**

Device type: Capacity: 3000kg, Deck mounted (D)

Material: Aluminum (A), Steel (S)

A	B	C	D	E	F	G
250 mm	195 mm	230 mm	810 mm	410 mm	290 mm	840 mm