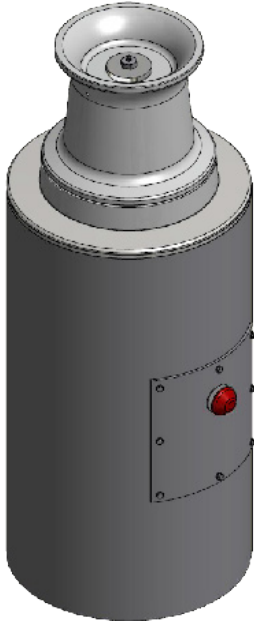


CAPSTANS



PETTER'S MARINE HYDRAULICS manufactured its first capstan in 1967, and has since then, sold hundreds of capstans worldwide. From our product range, we offer both rail and deck mounted capstans, ranging from 1 to 10 tons of bollard pull. All of our capstans are hydraulic operated, either by levers or pedals which are both proportional to the pull force of the capstan, providing the operator with full control of both line speed and applied power. **PETTER'S MARINE HYDRAULICS'** capstans are made for operation in demanding environments and rough conditions, providing **EXCELLENT** performance and high **RELIABILITY** in a **COST EFFICIENT** way.



C2000D: Deck mounted 2 000kg capstan

The C2000D capstan is a deck mounted capstan with a bollard pull of 2 000kg, ideal for cargo handling and tightening of mooring arrangements for fish farm facilities. The pedestal is available in either steel or aluminum, and can be welded or bolted to the structure. This capstan is always delivered with a mounted emergency release valve.



C2000R: Rail mounted 2 000kg capstan

The C2000R capstan is a rail mounted capstan with a bollard pull of 2000kg, ideal for cargo handling and tightening of mooring arrangements for fish farm facilities. The pedestal is available in either steel or aluminium, and can be either welded or bolted to the structure. This capstan is always delivered with an emergency release valve, to be mounted on the best accessible place for the operator.



C3000D L400: Custom deck mounted 3 000kg capstan

PETTER'S MARINE HYDRAULICS has also developed and delivered customized capstans based on customer's design requests. The C3000D L400 capstan is a custom made deck mounted capstan with a bollard pull of 3 000kg. This design has a prolonged capstan head with a height of 400mm and prolonged diameter on the capstan housing. This capstan is always delivered with a mounted emergency release valve.

ORDER INFORMATION

The capstans are available in both aluminum (alloy 5083) and steel with hydraulic drive. The capstan can be delivered with electric or hydraulic steering as a foot pedal, and/or joystick. Electrical drive can be provided as a custom solution.

PETTER'S MARINE HYDRAULICS offers a wide range of capstans. Please see the capstan brochures or visit our home page WWW.PMH.NO for more information.

TECHNICAL SPECIFICATION

Device	Flow (l/min)	Pressure (Bar)	Max RPM	Rope diameter	Max line speed	Max start pull
C1000	15 l/min	210 Bar	42	20mm	36 m/min	1000 kg
C1500	30 l/min	135 Bar	36	20mm	31 m/min	1500 kg
C2000	30 l/min	180 Bar	35	30mm	30 m/min	2000 kg
C3000	65 l/min	165 Bar	28	30mm	30 m/min	3000 kg
C4000	65 l/min	180 Bar	23	30mm	25 m/min	4000 kg
C5000	75 l/min	175 Bar	21	52mm	22 m/min	5000 kg
C8000	75 l/min	190 Bar	9	52mm	15 m/min	8000 kg
C10000	75 l/min	200 Bar	7	52mm	10 m/min	10000 kg

All the capstans has an breakingfactor on 1:1.

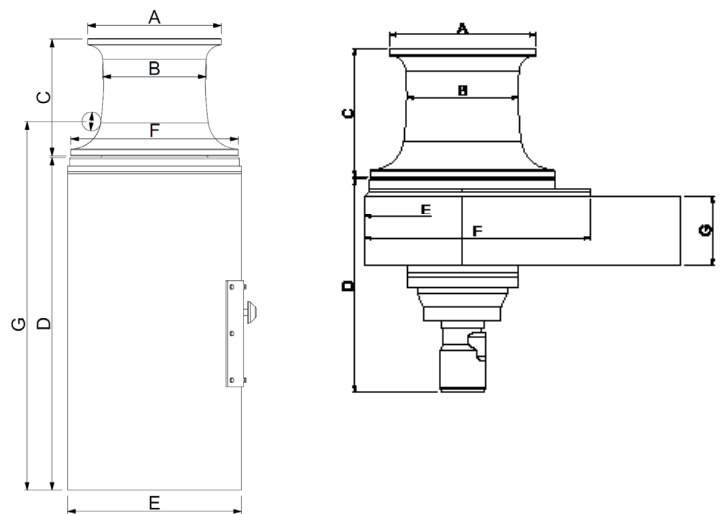
Part name explanation:

Example: **C1000R-x**

Device type: Capacity: 1000kg, Rail mounted (R)
Material: Aluminum (A), Steel (S)

Example: **C3000D-x**

Device type: Capacity: 3000kg, Deck mounted (D)
Material: Aluminum (A), Steel (S)



TYPE TABLE

Device	A	B	C	D	E	F	G
C1000R	Ø250 mm	Ø195 mm	230 mm	275 mm	Ø310 mm	375 mm	100 mm
C1000D	Ø250 mm	Ø195 mm	230 mm	810 mm	Ø410 mm	Ø290 mm	840 mm
C1500R	Ø250 mm	Ø195 mm	230 mm	350 mm	Ø310 mm	375 mm	100 mm
C1500D	Ø250 mm	Ø195 mm	230 mm	810 mm	Ø410 mm	Ø290 mm	840 mm
C2000R	Ø250 mm	Ø195 mm	230 mm	370 mm	Ø310 mm	375 mm	100 mm
C2000D	Ø250 mm	Ø195 mm	230 mm	810 mm	Ø410 mm	Ø290 mm	840 mm
C3000R	Ø315 mm	Ø240 mm	280 mm	460 mm	Ø420 mm	485 mm	150 mm
C3000D	Ø315 mm	Ø240 mm	280 mm	785 mm	Ø410 mm	Ø400 mm	830 mm
C4000R	Ø315 mm	Ø240 mm	280 mm	466 mm	Ø420 mm	485 mm	150 mm
C4000D	Ø315 mm	Ø240 mm	280 mm	785 mm	Ø410 mm	Ø400 mm	830 mm
C5000D	Ø315 mm	Ø240 mm	280 mm	785 mm	Ø410 mm	Ø400 mm	830 mm
C8000D	Ø390 mm	Ø315 mm	365 mm	590 mm	Ø500 mm	Ø495 mm	670 mm
C10000D	Ø390 mm	Ø315 mm	365 mm	590 mm	Ø500 mm	Ø495 mm	670 mm

PETTER'S MARINE HYDRAULICS aims to satisfy our customers by providing reliable products with an excellent performance and customer support.

For the customers demanding product reliability, PETTER'S MARINE HYDRAULICS offers a support contract that ensures 24/7 technical phone support and on-site support within 24 hours if a breakdown or malfunction should occur. We also offer service contracts for periodic maintenance of all equipment, including software updates.



STANDARD MANEUVERING SOLUTIONS

Manufacturer of TYPE APPROVED PRODUCTS:

- STEERING GEARS
- ANCHOR WINCHES



PETTER'S MARINE HYDRAULICS

web: www.pmh.no

switchboard +47 73 96 26

E-mail: post@pmh.no